

> YIN YANG

Can be installed on BCM 790, BCM - BCU 350 and Intraslim B



White



Bright chrome



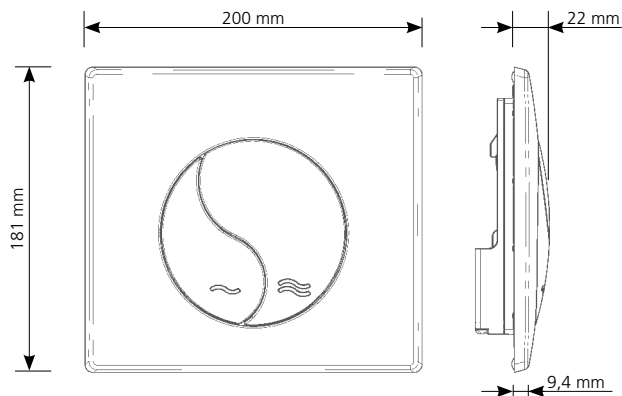
Bright chrome & Matt chrome



Matt chrome & Bright chrome

DESCRIPTION

- > Zen design
- > Made from ABS
- > Decorative versions :
 - White
 - Bright chrome plated
 - Bright chrome (bright chrome plated frame and large button and matt chrome finish for small button)
 - Matt chrome (matt chrome finish for plate and large button, bright chrome plated small button)
- > Dual flush
- > Mechanical actuation
- > Actuation force below 20 Newton
- > Smooth actuating screws to avoid operating noise
- > Hand cuttable fixing and actuation screws for adapting length to cladding
- > Flush plate serves as an access point for reaching the cistern equipment
- > Cladding thickness between 16 and 100 mm



TEXT FOR TENDERS:

YIN YANG

Ref.: 31 18... 10

Dual flush actuation plate, made from ABS, finish. 2-year guarantee. Dimensions height 180 mm, width 200 mm and depth 22 mm.

Delivered with wall fixing frame, 2 fixing screws and 2 actuation screws. Necessary spanner.

	Ref.	Barcode	Packing	Packing			Pallet quantity
				Nb	M ³	Kg	
YIN YANG White	31 1800 10	3 24723 001304 3	Carton	40	0,096	14	-
YIN YANG Bright chrome	31 1853 16	3 24723 001899 4	Carton	40	0,096	14	-
YIN YANG Bright chrome / Matt chrome	31 1853 10	3 24723 001489 7	Carton	40	0,096	14	-
YIN YANG Matt chrome / Bright chrome	31 1850 10	3 24723 001305 0	Carton	40	0,096	14	-