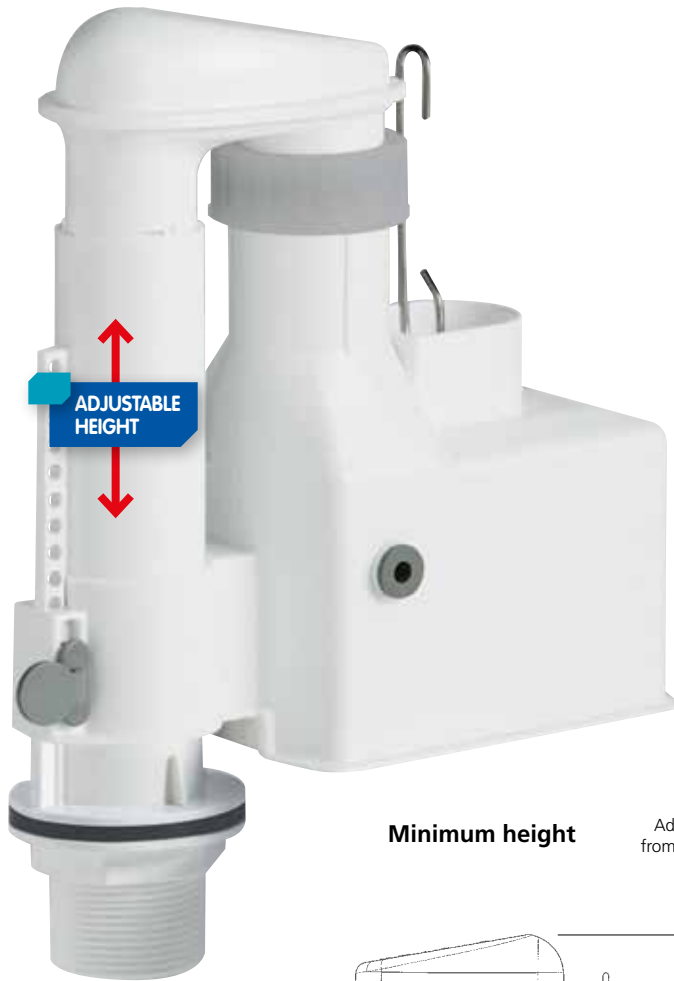


> Adjustable siphon UNISIPHON



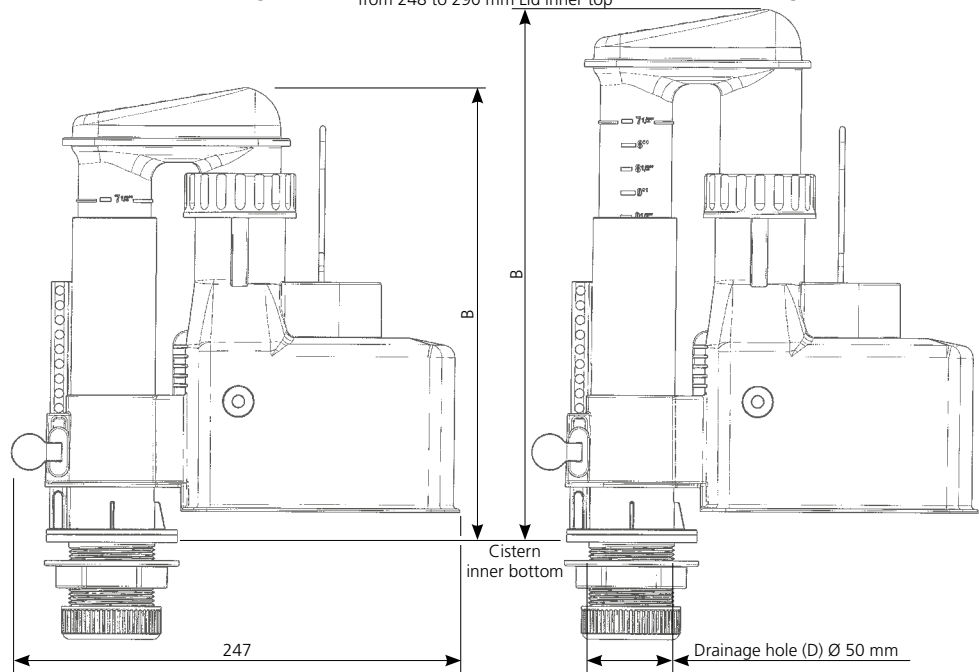
DESCRIPTION

- > To be installed into plastic or ceramic cisterns
- > One adjustable height siphon for replacing many of the current specific height ones
- > Adjustable height from 7 1/2" (248mm.) to 9 1/2" (290mm.)
- > Featuring overflow
- > Adjustable flush volume
- > Adjustable dead water level
- > 2 part siphon easy to maintain without the need for cistern disassembly

Minimum height

Adjustable overflow height (B):
from 248 to 290 mm Lid inner top

Maximum height

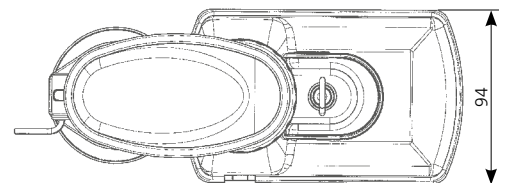


TEXT FOR TENDERS:

UNISIPHON WRAS

Unisiphon can be used as a replacement in many high and low level, lever operated ceramic or concealed cisterns.

Quick servicing : a 2-part design that enables the syphon body to be easily removed from the cistern, leaving the leg plugged.



	Ref.	Barcode	Packing	Packing			Pallet quantity
				Nb	M ³	Kg	
UNISIPHON	32 8004 07	3 24723 007197 5	Card topped bag	12	0.08	8	180



For more information:
Web: siamp.co.uk