

# > Single flush STORM 33A



## DESCRIPTION

- > Can be installed into plastic or ceramic cisterns
- > Single flush, full cistern discharge
- > Actuation effort below 20 Newton
- > For lid holes ranging from 18 to 50mm, with or without collar depending on diameter
- > Adjustable stirrup that fixes the cistern lid and enables a non alignment position
- > Overflow can be cut in increments of 5mm
- > High flush rate of 3.5l/s
- > Foam pan seal supplied for compensating pan irregularity



Storm 33A flush valve available in a pack with the 99B inlet valve

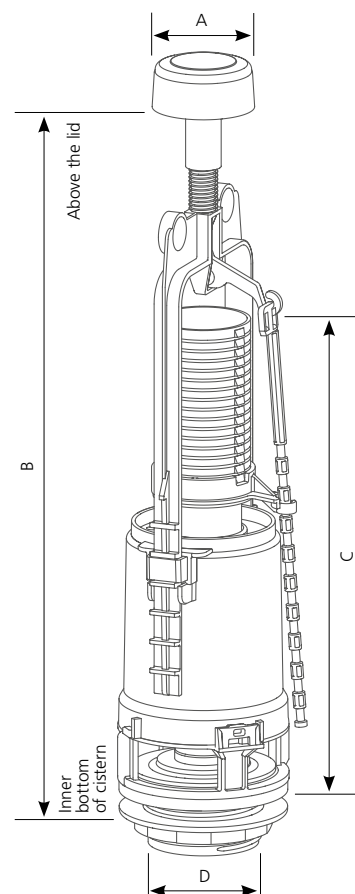
Compatible with:

- Lid hole (A), Ø 18 to 50mm
- Drainage hole (D) Ø from 58 to 72mm

Adjustable height (B):

- With collar: from 305 to 339mm (Lid hole (A) Ø 18 to 38mm)
- Without: from 321 to 415mm (Lid hole A, Ø 39 to 42mm)

Adjustable overflow height: 180 to 240mm (C)



## TEXT FOR TENDERS:

### STORM 33A WRAS NF

Single flush valve WRAS and NF certified, 10-year-guarantee. The stirrup fixes the cistern lid, once the button is screwed down and enables a non-alignment position. Adjustable button and optional collar.

Adjustable height from 305 and 415 mm, lid hole from 16 to 50, discharge hole from 58 to 72 mm. Adjustable over flow.

	Ref.	Barcode	Packing	Packing			Pallet quantity
				Nb	M <sup>3</sup>	Kg	
STORM 33A	32 3355 10	3 24723 007131 9	Box	14	0.08	7	210
STORM 33A/99B 1/2P component pack	35 9950 07	3 24723 007143 2	Bag	15	0.08	11.75	225