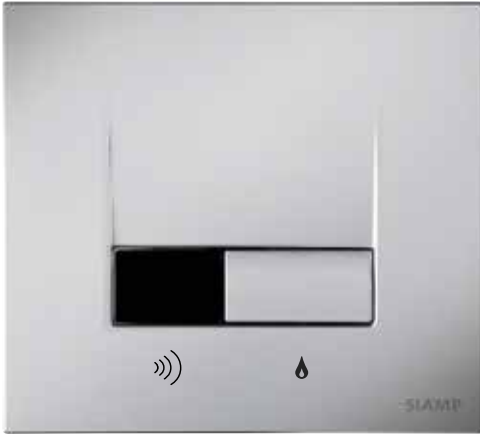


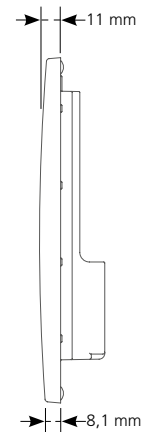
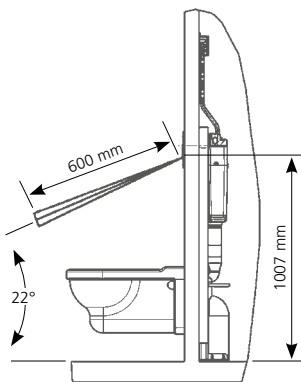
# > SMART MV INFRARED

Can be installed on BCM - BCU 350



### DESCRIPTION

- > Modern and smart design
- > Made from aluminium alloy
- > Matt chrome finish
- > Automatic pan flushing
- > User does not need to touch buttons, which prevents bacteria, mould and fungi transmission
- > Vandal resistant
- > Single flush
- > Automatic infra-red actuation:
  - senses user presence after 12 seconds
  - infra-red beam reaches a distance of 60 cm and has a 22° radius from sensor
  - flushes once user has left
  - servomotor flush valve actuation
  - very low voltage power supply (using transformer)
- > Failure function:
  - Flush can be performed with manual button
  - Actuation force below 20 Newton
- > Smooth actuating screws to avoid operating noise
- > Hand cuttable fixing and actuation screws for adapting length to cladding
- > Flush plate serves as an access point for reaching the cistern equipment
- > Cladding thickness between 16 and 100 mm

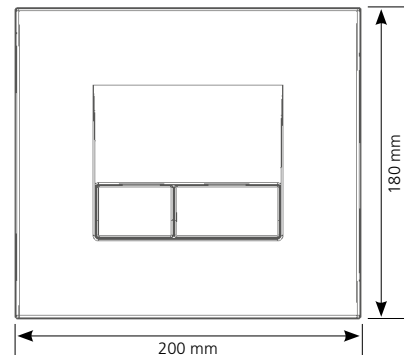


### TEXT FOR TENDERS:

**SMART MVI**  
**Ref.: 31 19... 10**

Single flush actuation plate, made from aluminium alloy matt chrome finish, including a automatic infra-red actuation with a servomotor flush valve actuation, supplied with a manual button flush and a vandal resistant system. 2-year guarantee. Dimensions height 180mm, width 200 mm and depth 11 mm.

Delivered with wall fixing frame, 2 fixing screws, 1 actuation screw, 1 base supporting the servomotor, 1 cable transformer, 1 case flush IP54, 1 protective tube and 1 vandal resistant headless screw M4x12. Necessary spanner.



	Ref.	Barcode	Packing	Packing			Pallet quantity
				Nb	M <sup>3</sup>	Kg	
SMART MVI Matt chrome	31 1950 10	3 24723 002148 2	Carton	12	0,14	18	-



For more information:  
 Web: [siamp.co.uk](http://siamp.co.uk)