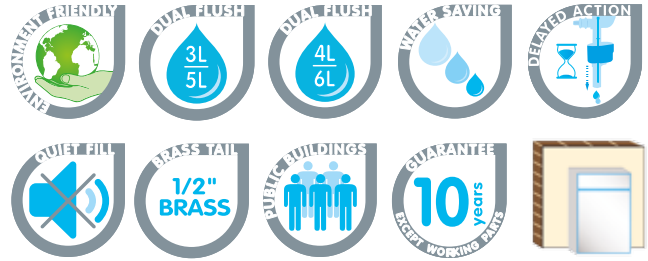


> Concealed cistern INTRA PNEUMATIC ECO Bottom inlet



DESCRIPTION

- For back to wall WC
- Recessed with an access cover inside wall or furniture
- Low level installation
- Wall or furniture fixing
- Remote pneumatic flushing
- Bright chrome dual flush flushing
- 2m air hose with corrugated pipe protection
- Cistern and lid made from HDPE
- 6 litres insulated cistern. Conforms to EN 14055 class 2 flushing standards
- Outer anti-condensation PSE insulation
- Dual flush pneumatic outlet valve, 6/4l. factory preset, adjustable at 5/3l. on site. WRAS and NF approved
- Water saving and quiet fill delayed action inlet valve
- Bottom inlet supply
- 1/2" brass water inlet connection
- Height and depth adjustable supply pipe with pan seal
- Can be adapted for less able use

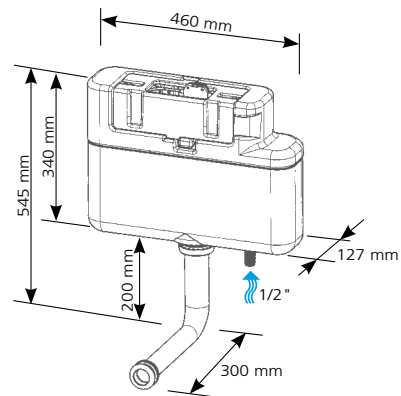
TEXT FOR TENDERS:

INTRA PNEUMATIC ECO Bottom inlet

Ref.: 31 0154 10

Concealed cistern for floor mounted, back to wall WC. WRAS and NF approved components, 10-year guarantee. Remote pneumatic flushing, bright chrome dual flush flushing. 6 litres insulated cistern equipped with a dual flush pneumatic outlet valve and a water saving and quiet fill delayed action inlet valve. Water inlet connection on the bottom of the cistern with 1/2" brass tail. Dimensions height 340 mm, width 460 mm and depth 127 mm.

Complete delivery with fixing and connection accessories, flushing, air hose with corrugated pipe protection.



	Ref.	Barcode	Packing	Packing			Pallet quantity
				Nb	M ³	Kg	
INTRA PNEUMATIC ECO Bottom inlet	31 0154 10	3 24723 009407 3	Carton	1	0,029	2,82	84

OPTIONS

Flushingp. 36