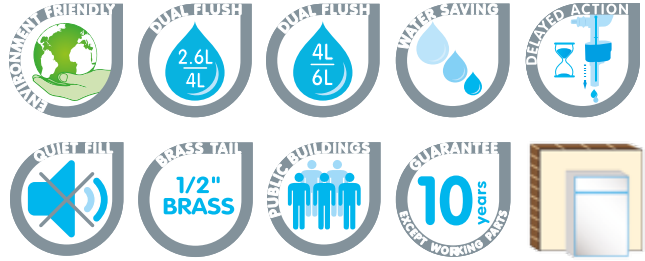
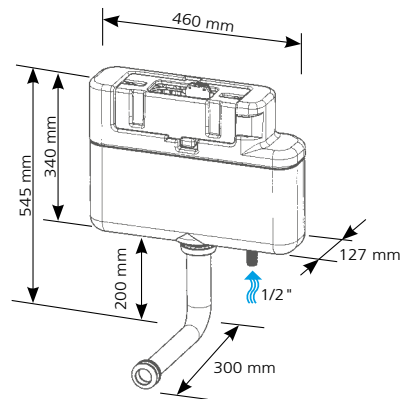


> Concealed cistern INTRA CABLE ECO Bottom inlet



DESCRIPTION

- For back to wall WC
- Recessed with an access cover inside wall or furniture
- Low level installation
- Wall or furniture fixing
- Remote cable flushing
- Bright chrome dual flush top or front flushing
- Cistern and lid made from HDPE
- 6 litres insulated cistern. Conforms to EN 14055 class 2 flushing standards
- Outer anti-condensation PSE insulation
- Dual flush cable outlet valve, 6/4l. factory preset, adjustable at 4/2,6l. on site. WRAS and NF approved
- Water saving and quiet fill delayed action inlet valve
- Bottom inlet supply
- 1/2" brass water inlet connection
- Height and depth adjustable supply pipe with pan seal
- Can be adapted for less able use



TEXT FOR TENDERS:

INTRA CABLE ECO Bottom inlet
Ref.: 31 0150 10

Concealed cistern for floor mounted, back to wall WC. WRAS and NF approved components, 10-year guarantee. Cable flushing, bright chrome dual flush top or front flushing. 6 litres insulated cistern equipped with a dual flush outlet valve and a water saving and quiet fill delayed action inlet valve. Water inlet connection on the bottom of the cistern with 1/2" brass tail. Dimensions height 340 mm, width 460 mm and depth 127 mm.

Complete delivery with fixing and connection accessories.

	Ref.	Barcode	Packing	Packing			Pallet quantity
				Nb	M ³	Kg	
INTRA CABLE ECO Bottom inlet	31 0150 10	3 24723 009406 6	Carton	1	0,029	2,82	84

OPTIONS

Flushingp. 36



For more information:
Web: siamp.co.uk