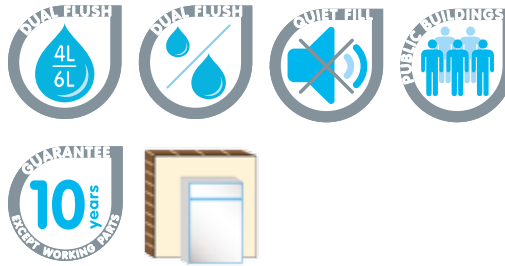
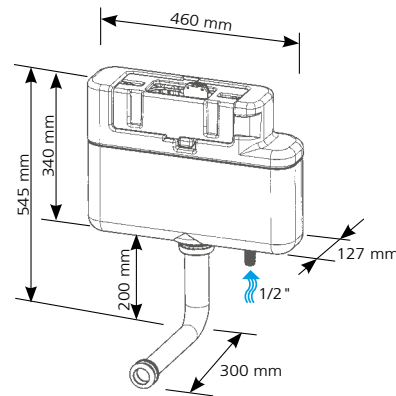


> Concealed cistern INTRA CABLE Bottom inlet



DESCRIPTION

- For back to wall WC
- Recessed with an access cover inside wall or furniture
- Low level installation
- Wall or furniture fixing
- Remote cable flushing
- Bright chrome dual flush top or front flushing
- Cistern and lid made from HDPE
- 6 litres insulated cistern. Conforms to EN 14055 class 2 flushing standards
- Outer anti-condensation PSE insulation
- Dual flush cable outlet valve, 6/4l. factory preset. WRAS and NF approved
- Quiet fill inlet valve
- Bottom inlet supply
- 1/2" plastic water inlet connection
- Height and depth adjustable supply pipe with pan seal
- Can be adapted for less able use



TEXT FOR TENDERS:

INTRA CABLE Bottom inlet
Ref.: 31 0147 10

Concealed cistern for floor mounted, back to wall WC. WRAS and NF approved components, 10-year guarantee. Cable flushing, bright chrome dual flush top or front flushing. 6 litres insulated cistern equipped with a dual flush outlet valve and a quiet fill inlet valve. Water inlet connection on the bottom of the cistern with 1/2" plastic tail. Dimensions height 340 mm, width 460 mm and depth 127 mm.

Complete delivery with fixing and connection accessories.

| | Ref. | Barcode | Packing | Packing | | | Pallet quantity |
|--------------------------|------------|------------------|---------|---------|----------------|------|-----------------|
| | | | | Nb | M ³ | Kg | |
| INTRA CABLE Bottom inlet | 31 0147 10 | 3 24723 002372 1 | Carton | 1 | 0,029 | 2,82 | 84 |

OPTIONS

Flushingp. 36