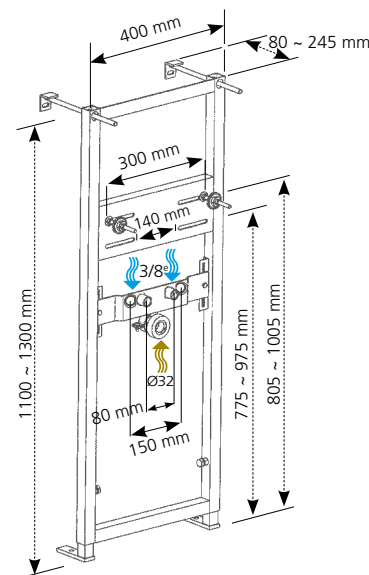


> Washbasin wall frame BLM 400



DESCRIPTION

- > For installing a wall hung washbasin
- > Wall frame bearing a 150kg load
- > Designed for wall installation
- > Steel tube structure, 30x30x1,5mm, electro-welded and anticorrosion treated (epoxy paint withstanding 200 hours of salt spray)
- > Feet are made from epoxy painted steel plate (100x30x8mm) and electro-welded epoxy painted steel tubes (25x25x3mm), fixed to the floor
- > Can be fixed to the wall using 2 fixing brackets
- > 2 water supply connection points
- > Washbasin height adjustment
- > Washbasin fixing accessories
- > Water supply and drain height adjustable position
- > Water inlet connection thanks to end-fittings 3/8" M/F
- > Suitable for 32mm diameter PVC drain pipe



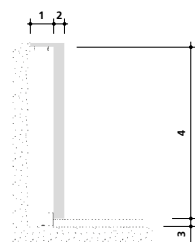
TEXT FOR TENDERS:

BLM 400

Ref.: 31 1250 10

Wall frame for wall hung washbasin, 10-year guarantee, 2 wall fixing points. Adjustable height from 1100 to 1300 mm, width 400 mm, adjustable depth from 80 to 245 mm. Adjustable height position of washbasin, water supply and drain.

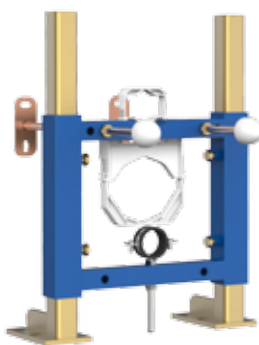
Supplied with fixing and connection accessories.



- 1 = 80 ~ 245 mm
- 2 = 16 ~ 100 mm
- 3 = 0 ~ 200 mm
- 4 = 1100 ~ 1300 mm

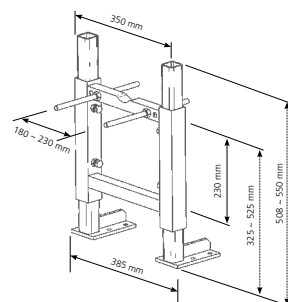
	Ref.	Barcode	Packing	Packing			Pallet quantity
				Nb	M ³	Kg	
BLM 400	31 1250 10	3 24723 001346 3	Carton	1	0,025	10	40

> Bidet wall frame SCU 350



DESCRIPTION

- > For installing a wall hung-standard or extended bidet
- > Self supporting wall frame bearing a 400kg load
- > Designed for floor or wall installation
- > Steel tube structure, 45x45x1,5mm, electro-welded and anticorrosion treated, (epoxy paint withstanding 200 hours of salt spray)
- > Bidet fixing using threaded rods
- > Feet are made from epoxy painted steel plate (140x80x8mm) and electro-welded epoxy painted steel tubes (40x40x4mm), fixed to the floor
- > Accepts bidet supply bent pipes from Ø 30 to 50mm
- > Accepts bidet drain bent pipes from Ø 90 to 120mm
- > Cistern or pressure bidet supply
- > Supply bent pipe is maintained thanks to one clip collar
- > Drainage pipe is maintained thanks to one clip collar
- > Bidet drainage Ø38 ~ Ø45 mm fixation by one collar



TEXT FOR TENDERS:

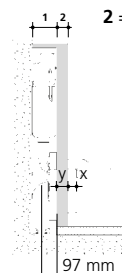
SCU 350

Ref.: 31 2505 10

Wall frame for wall hung bidet, 10-year guarantee, self supporting, 4 floor fixing points. Adjustable height from 508 to 550 mm, width 350 mm. Bidet supply bent pipes from Ø 30 to 50 mm, bidet drain bent pipes from Ø 90 to 120 mm.

Supplied with floor and bidet fixing accessories.

Supplied without cistern, bent pipe and bidet connector.



1 = 140 mm min

2 = Cladding thickness

$y = 400 - 80 - x$ mm or $x =$ thickness of the ceramics at the bidet fixation level. This calculation does not take into account any constraints due to the tank or pressurised water supply.

4 = 0 ~ 200 mm

if 3 = 400 => 4 = 200 mm max*

if 3 = 480 => 4 = 120 mm max*

*When the distance between the bidet fixing axle and the bidet seat is 75 mm.

	Ref.	Barcode	Packing	Packing			Pallet quantity
				Nb	M ³	Kg	
SCU 350	31 2505 10	3 24723 004670 6	Carton	1	0,02	11,45	60