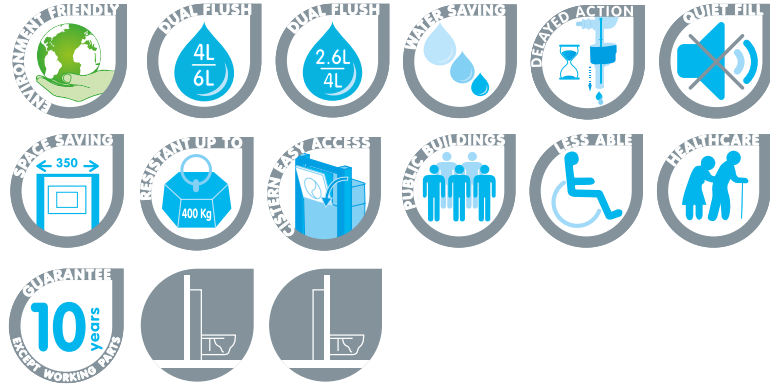


# > Wall frame BCU 350



**NARROW  
FRONT FLUSH PLATE  
FLOOR OR WALL INSTALLATION**

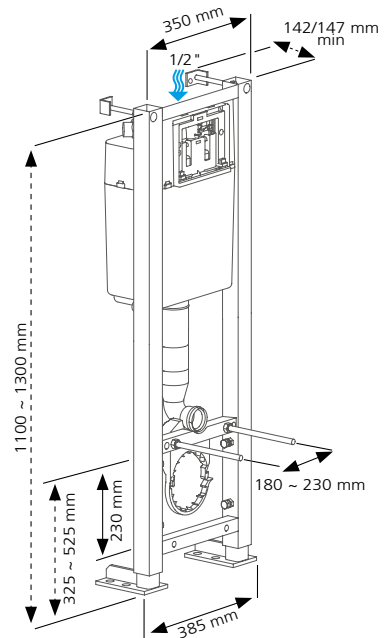


### DESCRIPTION

- > For installing a wall hung-standard, extended or compact WC
- > Self-supporting wall frame for dry cladding bearing a 400kg load, NF approved
- > Designed for floor or wall installation
- > Steel tube structure, 45x45x1,5mm, electro-welded and anti-corrosion treated (epoxy paint withstanding 200 hours of salt spray), NF approved
- > WC fixing using threaded rods (no need to cut them) and with possible adjustment after cladding completion
- > Feet are made from epoxy painted steel plate (140x80x8mm) and electro-welded epoxy painted steel tubes (40x40x4mm), fixed to the floor
- > Can be fixed to the wall using 2 fixing brackets
- > 6 litre cistern insulated against condensation, from which components can be accessed through the flush plate window. Conforms to NF, EN 14055 Class 2 flushing standards, BREEAM requirements and UK Building Regulations
- > Dual flush outlet valve, 6/4 litres factory preset, adjustable to 4/2.6 litres on site, NF approved
- > Water saving and quiet fill delayed action inlet valve, NF approved
- > Choice of mechanical dual flush, infra-red or anti-vandal single flush front flush plates

### Connections:

- > Water inlet connection on the inside of the cistern with 1/2" brass isolating valve
- > Supplied with 90° outlet bend, which can be easily fixed on the frame by simply clipping it
- > Supplied with accessories for protection during the construction phase



### TEXT FOR TENDERS:

**BCU 350**  
Ref.: 31 2104 10

Wall frame for wall hung WC, NF approved components, 10-year guarantee, self supporting, possible wall fixing. Adjustable height from 1100 to 1300 mm, width 350 mm, adjustable depth from 147 to 245 mm. Factory preset flush at 6/4 litres, insulated cistern equipped with a dual flush outlet valve and a water saving and quiet fill delayed action inlet valve. Water inlet connection on the inside of the cistern fitted with an integral isolating valve. Front flush plate actuation.

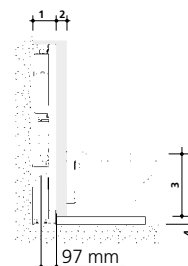
Supplied with 90° outlet bend made from PVC and WC connector.

Supplied without flush plate.

	Ref.	Barcode	Packing	Packing			Pallet quantity
				Nb	M <sup>3</sup>	Kg	
BCU 350	31 2104 10	3 24723 009408 0	Carton	1	0,07	21,24	28

### SUPPLEMENTS

Flush plates .....p. 36



- 1 = 147~245 mm
  - 2 = 16/20\*\* ~ 100 mm
  - 4 = 0 ~ 200 mm
  - if 3 = 400 => 4 = 200 mm max\*
  - if 3 = 480 => 4 = 120 mm max\*
- \*When the distance between the WC fixing axle and the WC seat is 75 mm  
\*\*According to flush plate



For more information:  
Web: [siamp.co.uk](http://siamp.co.uk)