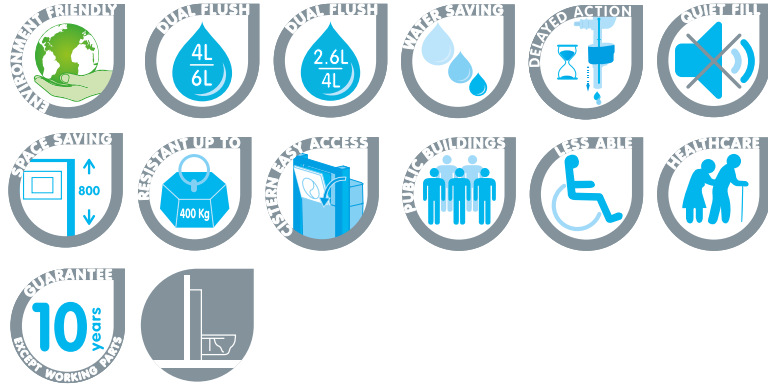


> Wall frame BCM 800

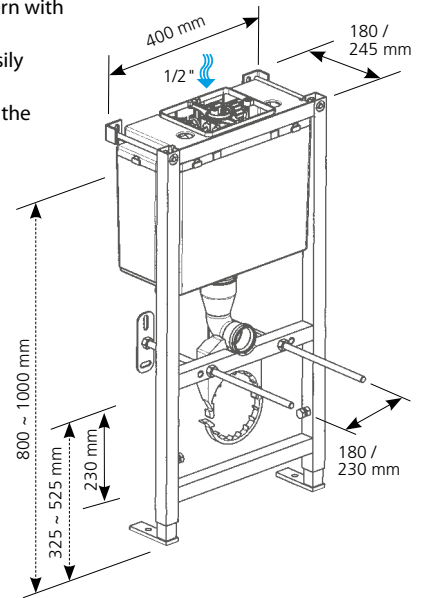


DESCRIPTION

- > For installing a wall hung-standard, extended or compact WC
- > Self-supporting wall frame for dry cladding bearing a 400kg load, NF approved
- > Designed for wall installation
- > Low height wall frame solution for installation below windows, stairs etc.
- > Steel tube structure, 30x30x1,5mm, electro-welded and anti-corrosion treated, (epoxy paint withstanding 200 hours of salt spray), NF approved
- > WC fixing using threaded rods (no need to cut them) and with possible adjustment after cladding completion
- > Feet are made from epoxy painted steel plate (100x30x8mm) and electro-welded epoxy painted steel tubes (25x25x3mm), fixed to the floor
- > Can be fixed to the wall using 2 fixing brackets
- > 8,5 litre cistern insulated against condensation, from which components can be accessed through the flush plate window. Conforms to NF, EN 14055 Class 2 flushing standards, BREEAM requirements and UK Building Regulations
- > Dual flush outlet valve, 6/4 litres factory preset, adjustable to 4/2.6 litres on site, NF approved
- > Water saving and quiet fill delayed action inlet valve, NF approved
- > Mechanical dual flush with top flush plate BCM 800 bright chrome

Connections:

- > Water inlet connection on the inside of the cistern with 1/2" brass isolating valve
- > Supplied with 90° outlet bend, which can be easily fixed on the frame by simply clipping it
- > Supplied with accessories for protection during the construction phase



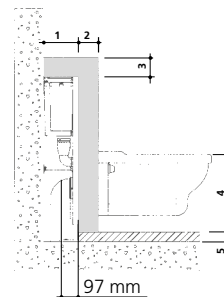
TEXT FOR TENDERS:

BCM 800
Ref.: 31 1167 10

Wall frame for wall hung WC, NF approved components, 10-year guarantee, 6 supporting wall fixing points and 2 floor fixing points. Adjustable height from 800 to 1000 mm, width 400 mm, adjustable depth from 180 to 245 mm. Factory preset flush at 6/4 litres, insulated cistern equipped with a dual flush outlet valve and a water saving and quiet fill delayed action inlet valve. Water inlet connection on the inside of the cistern fitted with an integral isolating valve. Top flush plate actuation.

Supplied with dual flush plate, 90° outlet bend made from PVC and WC connector.

	Ref.	Barcode	Packing	Packing			Pallet quantity
				Nb	M ³	Kg	
BCM 800	31 1167 10	3 24723 002371 4	Carton	1	0,077	13,35	24



- 1 = 180 ~ 245 mm
- 2 = 20 ~ 100 mm
- 3 = 25 ~ 60 mm
- 5 = 0 ~ 200 mm
- if 4 = 400 => 5 = 200 mm*
- if 4 = 480 => 5 = 120 mm*

*When the distance between the WC fixing axle and the WC seat is 75 mm.



For more information:
Web: siamp.co.uk