

> ALBUM 360

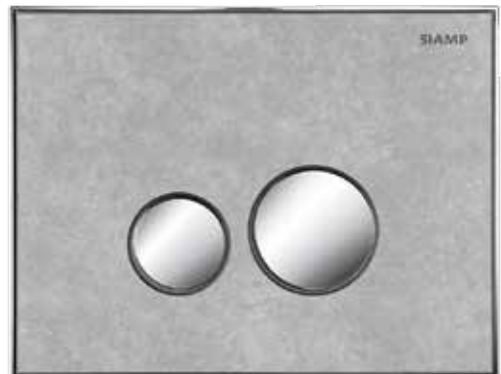
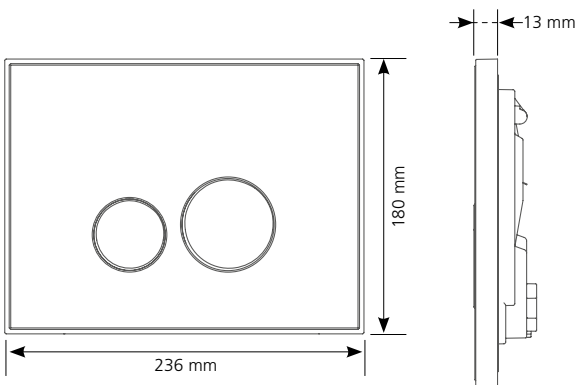
Can be installed on BCM 790, BCM - BCU 350 and Intraslim B



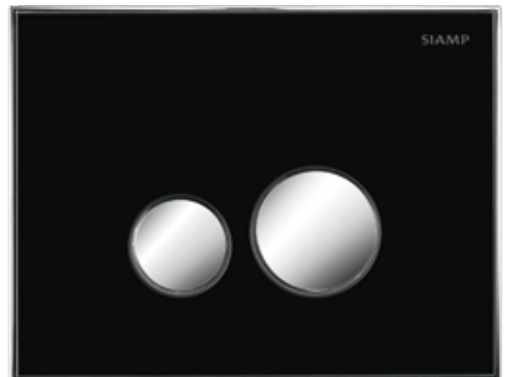
Natural Oak & Bright chrome buttons

DESCRIPTION

- Modern and round design
- Decorative wood panel made from high pressure laminated compact boards
- Resistant plate to shocks and moisture
- Decorated ABS buttons and surrounding frame
- Dual flush
- Mechanical actuation
- Actuation force below 20 Newton
- Smooth actuating screws to avoid operating noise
- Hand cuttable fixing and actuation screws for adapting length to cladding
- Flush plate serves as an access point for reaching the cistern equipment
- Cladding thickness between 20 and 100 mm



Stone Grey & Bright chrome buttons



Black & Bright chrome buttons

TEXT FOR TENDERS:

ALBUM 360

Ref.: 31 17..... 10

Dual flush actuation plate, made from wood panel, finish and bright chrome plated surrounding frame and round design buttons. 2-year guarantee. Resistant to shocks and moisture. Dimensions height 180 mm, width 236 mm and depth 13 mm.

Delivered with back fixing frame, 2 fixing screws and 2 actuation screws.

	Ref.	Barcode	Packing	Packing			Pallet quantity
				Nb	M ³	Kg	
ALBUM 360 Natural Oak / Bright chrome	31 1790 10	3 24723 005126 7	Carton	10	0,072	12	-
ALBUM 360 Stone Grey / Bright chrome	31 1791 10	3 24723 005128 1	Carton	10	0,072	12	-
ALBUM 360 Black / Bright chrome	31 1792 10	3 24723 005130 4	Carton	10	0,072	12	-