



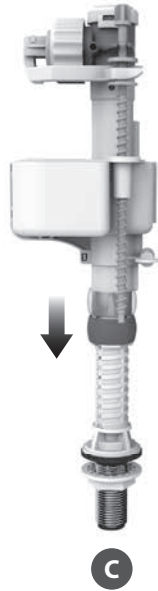
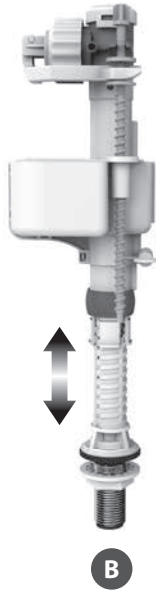
990D Telescopic
Low pressure
1/2" Brass



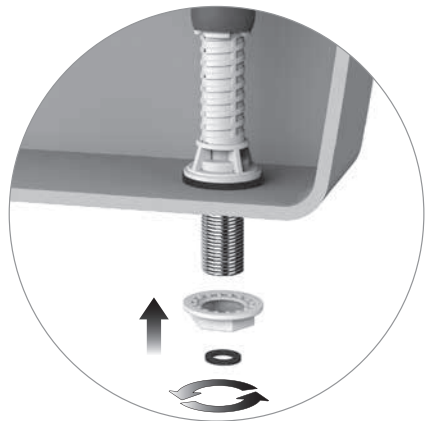
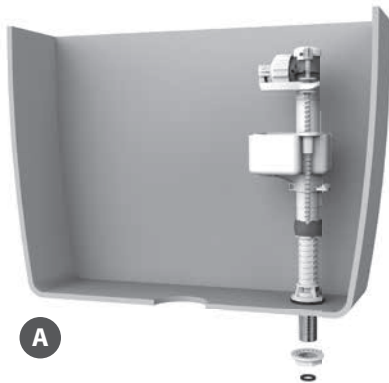
WRAS
APPROVED
PRODUCT

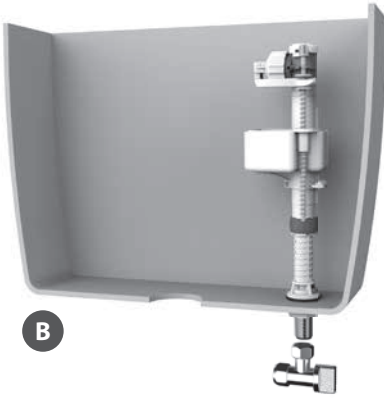
INLET VALVE 990D
ASSEMBLY INSTRUCTIONS

1. Height setting

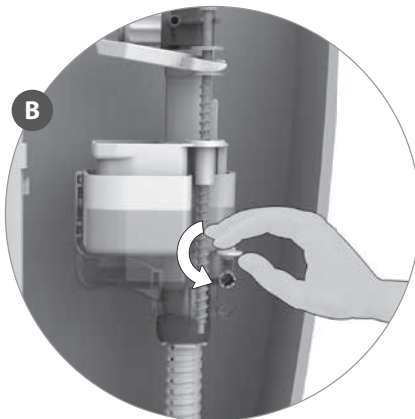
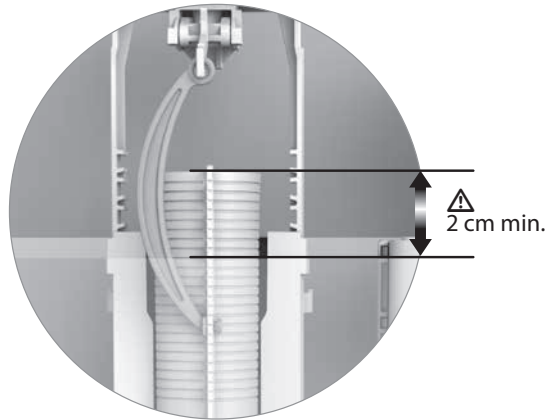
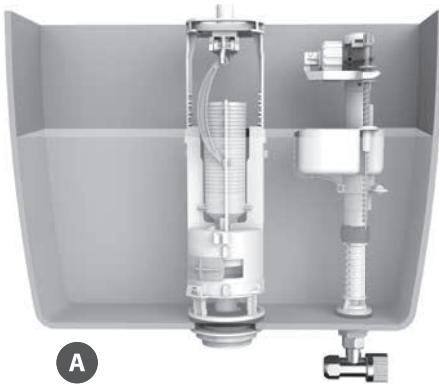


2. Inlet installation





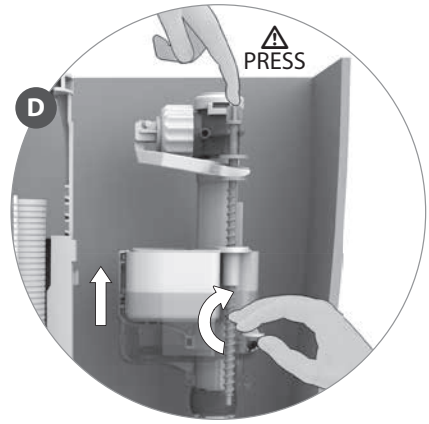
3. Water level adjustment



Turn the small white screw
to release the float box



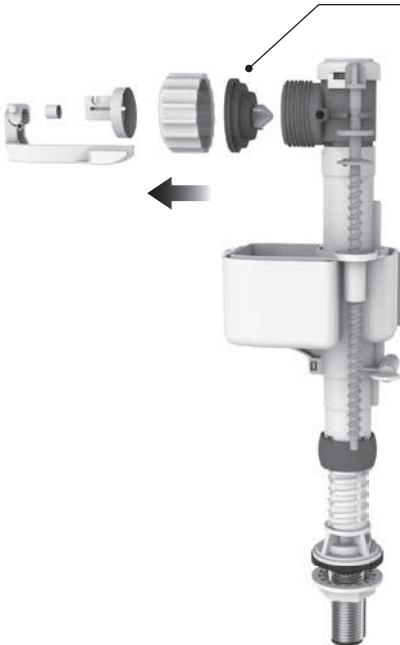
Adjust water level with the grey adjustable screw ; screw to increase water level, unscrew to decrease it.



Adjust the float box to the float level and turn the small white screw to close the box, while pressing on the grey screw.

4. Maintenance

34 9513 07



WARNINGS:

- 1) Do not over tight in any case.
- 2) Do not use any sealing paste and/or compound in any case

SIAMP UK will be not responsible in case these warnings are not respected.

Ref.: 50 7192 01

SIAMP

Siamp Ltd / Unit C2 / Meadowbank Business Park
 Tweedale Way / Hollinwood / Oldham / Greater Manchester / OL9 8EH
 Telephone : 0161 681 2120 / Fax : 0161 681 2130 / aftersales@siamp.co.uk