

SIAMP

GB

Monaco



CISTERN FOR FURNITURE AND BACK TO WALL *Trueflow*

ASSEMBLY INSTRUCTION

GROUND FIXED PAN MODEL



For supply connecting

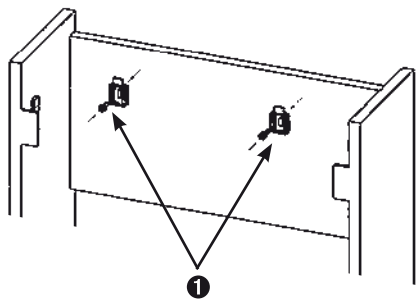
Ensure tightness of connection to cistern with filter gasket.

WARNINGS:

- 1 - Do not overtight in any case.
- 2 - Do not use any sealing paste and/or compound in any case
- 3 - Do not use connector handling the internal part of the inlet valve.

SIAMP will be not responsible in case these warnings are not respected.

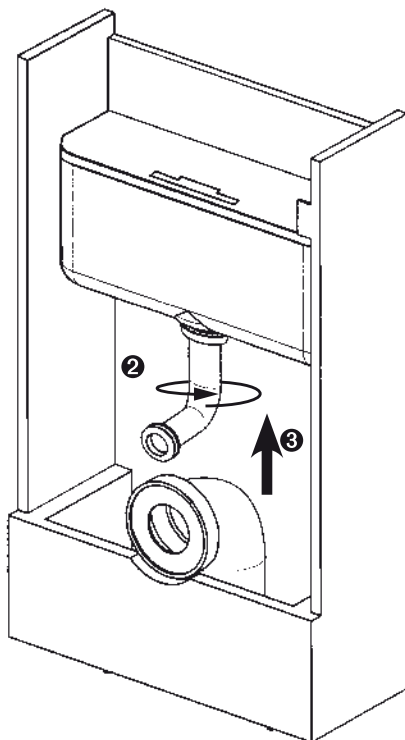
I - ATTACHING THE CISTERN



① Attach the cistern attachment lugs

② Insert the supply sleeve in the cistern

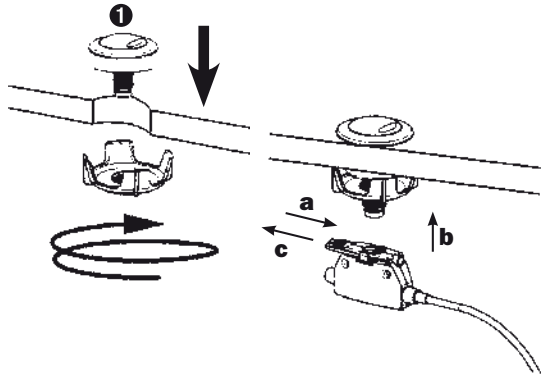
③ Tighten the supply sleeve nut



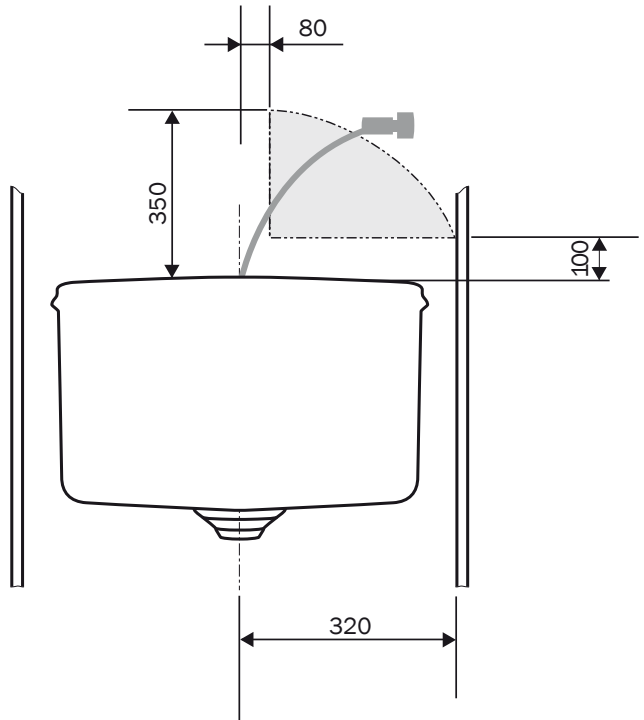
II - FLUSH BUTTON INSTALLATION

1 Position the button:

- Place button on panel and screw button nut
- Clip cable case
- Place panel back on top or front of furniture



Installation range front fixation



You have just installed a concealed cistern for furniture and back to wall True Flow by SIAMP and we would like to thank you for your confidence in our products.

As expert in technical equipment and accessories for the toilet, SIAMP has taken every possible measure to apply all the necessary care to the design and production of this product, offering a ten-year guarantee except for rubber parts and manpower.

For any complementary information, or indicated claim, please contact:

**Siamp Ltd, Unit C2, Meadowbank Business Park, Tweedale Way Hollinwood,
Oldham, Greater Manchester, OL9 8EH
T : 0161 681 2120 F : 0161 681 2130 E : info@siamp.co.uk Technical
support : aftersales@siamp.co.uk W : www.siamp.co.uk**