

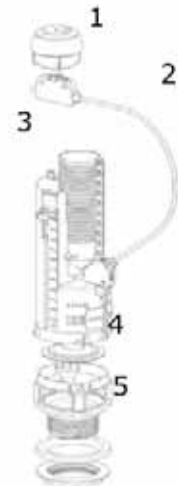
SIAMP 50 Dual Flushing Valve Cable Operated

Fault Finding Guide

Troubleshooting: Dual Flushing Valve Passing Water



- 1 - Push Button
- 2 - Cable
- 3 - Overflow Tube
- 4 - Valve Gasket
- 5 - Strainer

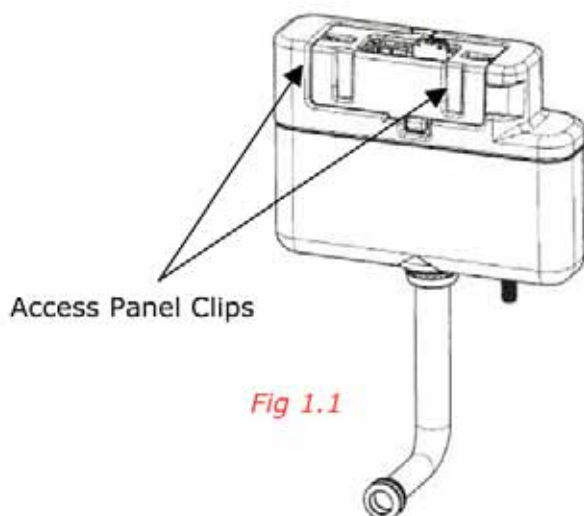


Note : Before carrying out the following procedures please check:

1. The water is not escaping through the Overflow Tube (3) if so please see '[Inlet Valve Not Shutting Off](#)'
2. The position of the Cable (2), if the Cable cannot operate freely this could be causing the valve to stay open. Ensure the cable is not twisted/kinked in any way.

It is possible that foreign bodies could get under the Valve Gasket and prevent it from creating a watertight seal. To resolve this please complete the following:

3. Turn off the water supply
4. Unclip the access panel ([Fig 1.1](#))
5. The Valve Assembly is connected to the Strainer on a bayonet fitment to remove rotate the Valve Assembly Anti-Clockwise away from the Strainer (5).
6. Remove the Valve Assembly from the cistern.
7. Clean the Valve Gasket (4) using clean water only. **DO NOT USE ANY CLEANING AGENTS.** ([Fig 1.2](#))
8. Clean the seal area of the strainer using clean water only. **DO NOT USE ANY CLEANING AGENTS.**
9. Once all debris has been successfully removed from both the Valve Gasket (4) and the Strainer (5). Replace the Valve Assembly back in the Strainer by reversing the removal process.



If the problem still persists spare parts may be purchased, if this is the case then these can be obtained on 0161 205 1200 quoting your Purchase Order Number.

PLEASE NOTE: Parts may be chargeable.